

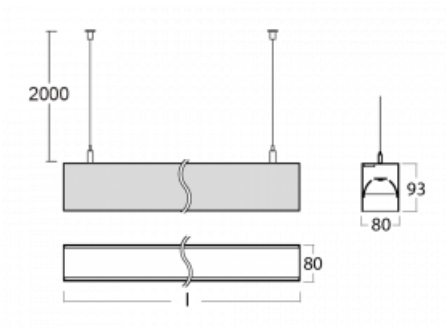

Luminaire

Lina80-S

11S-501B-20GGM3/830, W


EPD[®]

Lina80-S luminaires are available in recessed, surface, suspended or wall mounted versions, including the illuminated corner segments. Lina80-S system luminaire can be used to create different shapes or long lines, with special joints that prevent any light to shine through, creating thus a seamless visual effect, suitable for small offices as well as big halls.

Technical drawing


| | |
|----------------------|-------------------------|
| Type of installation | Wall mounted, Suspended |
|----------------------|-------------------------|

| | |
|--------------------|-----------------|
| Light distribution | Direct-indirect |
|--------------------|-----------------|

| | |
|-----------------|--------|
| Luminaire shape | Linear |
|-----------------|--------|

| | |
|--------------------------|-------|
| Colour of the luminaires | White |
|--------------------------|-------|

| | |
|----------|-----------|
| Material | Aluminium |
|----------|-----------|

| | |
|----------|----------------------|
| Lifetime | L90/B50 50 000 hours |
|----------|----------------------|

| | |
|----------|---------|
| Warranty | 2 years |
|----------|---------|

| | |
|---------------------------|----------------------------------|
| Description of luminaires | Luminaire wall mounted/suspended |
|---------------------------|----------------------------------|

| | |
|------------|-------------------------|
| Dimensions | 1122 mm × 80 mm × 93 mm |
|------------|-------------------------|

| | |
|--------------|-----------|
| Light source | LED MODUL |
|--------------|-----------|

| | |
|------------------------|------------|
| Type of optical system | MP PRO UGR |
|------------------------|------------|

| | |
|----------------|---------|
| Luminous flux* | 4630 lm |
|----------------|---------|

| | |
|--------------------|-------------------|
| Colour Temperature | 3000 K warm white |
|--------------------|-------------------|

| | |
|-------------------|----------|
| Luminous efficacy | 129 lm/W |
|-------------------|----------|

| | |
|----------------------|---|
| MacAdam Light source | 2 |
|----------------------|---|

| | |
|------------------------|----|
| Colour rendering index | 80 |
|------------------------|----|

| | |
|--|------|
| UGR max. X=4H Y=8H, $\rho=70,50,20$ | 16.9 |
|--|------|

| | |
|------------------------------|-----------------------|
| Luminaire power input* | 35.8 W |
| Connection of the luminaires | ON/OFF + 3h emergency |
| Electrical voltage | 220-240V |
| Frequency | 50/60Hz |

  IP 40

*±10 %

Downloads

Installation instructions



Photos



Accessories

00-00200, N
 straight connector

00-00300, N
 wire suspension
 2000mm

00-00301, N
 wire suspension
 4000mm

00-00302, N
 wire suspension
 6000mm

00-00355, K
 cable 5x0,75 2000mm

00-00356, K
 cable 5x0,75 4000mm

00-00363, K
 cable 5x1,5 2000mm

00-00364, K
 cable 5x1,5 4000mm

00-00365, K
 cable 5x1,5 6000mm

00-00366, K
 cable 7x0,75 2000mm

00-00367, K
 cable 7x0,75 4000mm

00-00368, K
 cable 7x0,75 6000mm

00-00370, W
 ceiling cup 80x80x32mm

00-01200, F
 Accessory for gear-tray
 release

00-20101, W
 2xend cap - metal, 5-
 conductor terminal box,
 grommet; Lipo80/Lina80

00-20103, W
 2xend cap - plastic, 5-
 conductor terminal box,
 grommet; Lipo80/Lina80

00-20700, W
 2 pcs of wall fastening
 Lipo/Lina

00-51300, W
 set for suspension into
 3-phase track, non-
 dimmable luminaires