


**Luminaire**

# Indi

108-551K-B2FZD/840, W



Type of installation	Suspended
Light distribution	Direct-indirect
Luminaire shape	Circular
Colour of the luminaires	White
Material	Aluminium
Lifetime	L80/B20 50 000 hours
Warranty	5 years
Description of luminaires	Luminaire suspended
item description	White ceiling cup and cable

Dimensions	ø 3558 mm × 106 mm
------------	--------------------

Weight	28.8 kg
--------	---------

Light source	LED MODUL
--------------	-----------

DIR optical system	Opal diffuser
--------------------	---------------

INDIR optical system	Opal cover
----------------------	------------

Luminous flux*	29210 lm
----------------	----------

Colour Temperature	4000 K cool white
--------------------	-------------------

Luminous efficacy	87 lm/W
-------------------	---------

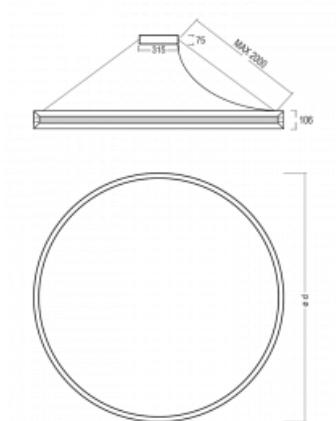
Colour rendering index	80
------------------------	----

UGR max. X=4H Y=8H, ρ=70,50,20	20
-----------------------------------	----

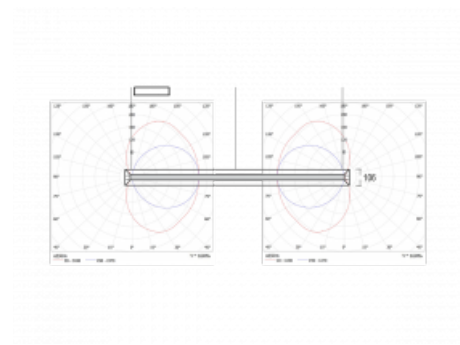


The Indi luminaire, designed by Matúš Opálka, has won a number of awards, such as the Red Dot Award, the iF Design Award and the German Design Award. This circular luminaire directindirect distribution of light and dimensions from 1 to 4 meters can be used in meeting rooms, all types of corridors, conference halls and social spaces. The aluminium profile has been fitted with powerful LED boards. The indirect distribution of light on two sides creates a pleasant soft light with adjustable intensity.

Design Matúš Opálka

**Technical drawing**


## Curve



Luminaire power input\* 334 W

Connection of the luminaires DALI

Electrical voltage 220-240V

Frequency 50/60Hz

⊕ CE IP 20

\*±10 %

## Downloads

Installation instructions



Photos



## Accessories



**108-0004**  
Tie-down strap for  
INDI circle