



Luminaire

Indi

108-501K-31FOE/840, S



| | |
|---------------------------|----------------------|
| Type of installation | Suspended |
| Light distribution | Direct-indirect |
| Luminaire shape | Circular |
| Colour of the luminaires | Silver |
| Material | Aluminium |
| Lifetime | L80/B20 50 000 hours |
| Warranty | 5 years |
| Description of luminaires | Luminaire suspended |

| | |
|--------------|--------------------|
| Dimensions | ø 1000 mm × 106 mm |
| Weight | 10.8 kg |
| Light source | LED MODUL |

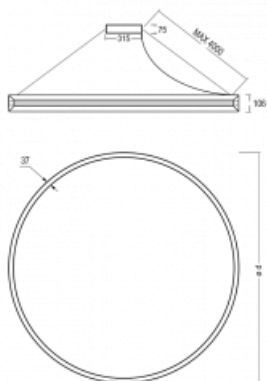
| | |
|--|-------------------|
| Type of optical system | Opal diffuser |
| Luminous flux* | 8390 lm |
| Colour Temperature | 4000 K cool white |
| Luminous efficacy | 87 lm/W |
| Colour rendering index | 80 |
| UGR max. X=4H Y=8H, $\rho=70,50,20$ | 18.6 |



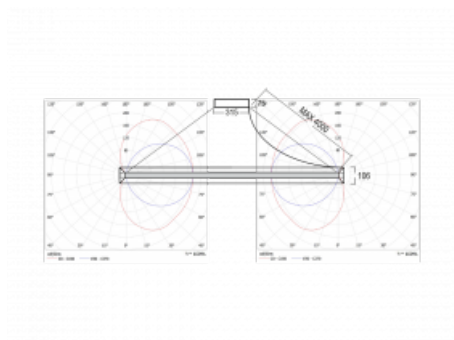
The Indi luminaire, designed by Matúš Opálka, has won a number of awards, such as the Red Dot Award, the iF Design Award and the German Design Award. This circular luminaire directindirect distribution of light and dimensions from 1 to 4 meters can be used in meeting rooms, all types of corridors, conference halls and social spaces. The aluminium profile has been fitted with powerful LED boards. The indirect distribution of light on two sides creates a pleasant soft light with adjustable intensity.

Design Matúš Opálka

Technical drawing



Curve



Luminaire power
input* 96 W

Connection of the
luminaires ON/OFF

Electrical voltage 220-240V

Frequency 50/60Hz

⊕ CE IP 20

*±10 %

Downloads

Installation instructions



Photos



Accessories



108-0004
Tie-down strap for
INDI circle