

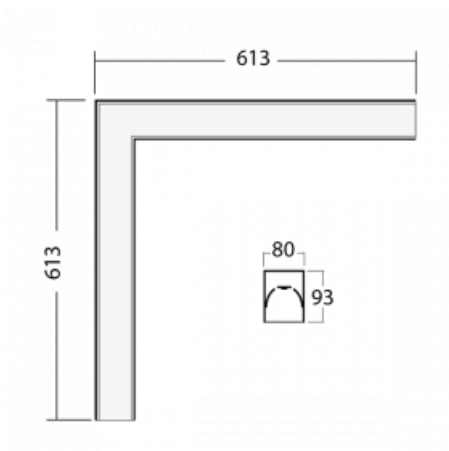

**Luminaire**

# Lina80-S

05S-220I-20GHE/830, W


**EPD<sup>®</sup>**

Lina80-S luminaires are available in recessed, surface, suspended or wall mounted versions, including the illuminated corner segments. Lina80-S system luminaire can be used to create different shapes or long lines, with special joints that prevent any light to shine through, creating thus a seamless visual effect, suitable for small offices as well as big halls.

**Technical drawing**


Type of installation	Recessed, Surface, Wall mounted, Suspended, 3 circuit track
Light distribution	Direct
Luminaire shape	Corner
Colour of the luminaires	White
Material	Aluminium
Lifetime	L80/B10 70 000 hours
Warranty	5 years
Description of luminaires	Luminaire recessed/surface/wall mounted/suspended/3 circuit track
Dimensions (l × w × h mm)	613 mm × 613 mm × 93 mm
Light source	LED MODUL
DIR optical system	Microprisma
Luminous flux*	4280 lm
Colour Temperature	3000 K warm white
Luminous efficacy	98 lm/W
MacAdam Light source	2
Colour rendering index	80
UGR max. X=4H Y=8H, ρ=70,50,20	22.1

Luminaire power input*	43.8 W
Connection of the luminaires	ON/OFF
Electrical voltage	220-240V
Frequency	50/60Hz

 **CE** IP 40

\*±10 %

## Downloads

[Installation instructions](#)[Photos](#)