



## Luminaire

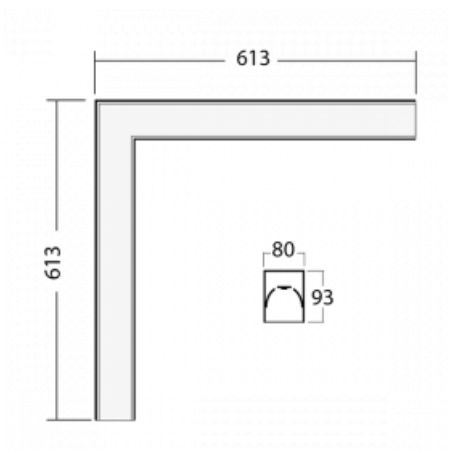
# Lina80-S

05S-220I-20GHD/840, S



Lina80-S luminaires are available in recessed, surface, suspended or wall mounted versions, including the illuminated corner segments. Lina80-S system luminaire can be used to create different shapes or long lines, with special joints that prevent any light to shine through, creating thus a seamless visual effect, suitable for small offices as well as big halls.

## Technical drawing



Type of installation	Recessed, Surface, Wall mounted, Suspended, 3 circuit track
----------------------	---

Light distribution	Direct
--------------------	--------

Luminaire shape	Corner
-----------------	--------

Colour of the luminaires	Silver
--------------------------	--------

Material	Aluminium
----------	-----------

Lifetime	L80/B10 70 000 hours
----------	----------------------

Warranty	5 years
----------	---------

Description of luminaires	Luminaire recessed/surface/wall mounted/suspended/3 circuit track
---------------------------	---

Dimensions (l × w × h mm)	613 mm × 613 mm × 93 mm
---------------------------	-------------------------

Weight	5.2 kg
--------	--------

Light source	LED MODUL
--------------	-----------

DIR optical system	Microprisma
--------------------	-------------

Luminous flux*	4490 lm
----------------	---------

Colour Temperature	4000 K cool white
--------------------	-------------------

Luminous efficacy	103 lm/W
-------------------	----------

MacAdam Light source	2
----------------------	---

Colour rendering index	80
------------------------	----

UGR max. X=4H Y=8H, ρ=70,50,20	22.2
-----------------------------------	------

Luminaire power input\* 43.8 W

---

Connection of the luminaires DALI

---

Electrical voltage 220-240V

---

Frequency 50/60Hz

---

  IP 40

\*±10 %

## Downloads

Installation instructions



Photos

