

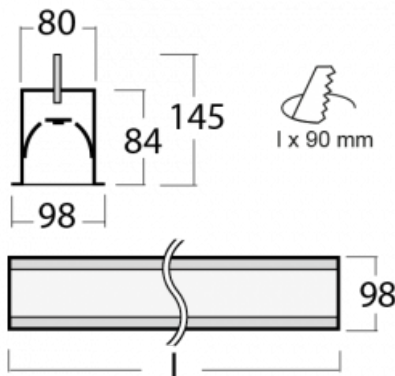

Luminaire

Lina80-S

05S-000K-60GGE/840, B


EPD[®]

Lina80-S luminaires are available in recessed, surface, suspended or wall mounted versions, including the illuminated corner segments. Lina80-S system luminaire can be used to create different shapes or long lines, with special joints that prevent any light to shine through, creating thus a seamless visual effect, suitable for small offices as well as big halls.

Technical drawing


Type of installation	Recessed
Light distribution	Direct
Luminaire shape	Linear
Colour of the luminaires	Black
Material	Aluminium
Lifetime	L90/B50 60 000 hours
Warranty	5 years
Description of luminaires	Luminaire recessed
Dimensions	3366 mm × 98 mm × 84 mm
Weight	7 kg
Light source	LED MODUL
Type of optical system	Opal diffuser
Luminous flux*	9820 lm
Colour Temperature	4000 K cool white
Luminous efficacy	132 lm/W
MacAdam Light source	2
Colour rendering index	80
UGR max. X=4H Y=8H, $\rho=70,50,20$	25

Luminaire power input*	74.4 W
Connection of the luminaires	ON/OFF
Electrical voltage	220-240V
Frequency	50/60Hz

  IP 40

*±10 %

Downloads

Installation instructions



Photos



Accessories



00-00100, B
2xend cap - metal, 3-
conductor terminal box,
grommet; Lipo80



00-00200, N
straight connector



00-00500
wire for emergency
lighting XX-XXXX-20



00-01200, F
Accessory for gear-tray
release