



## Luminaire

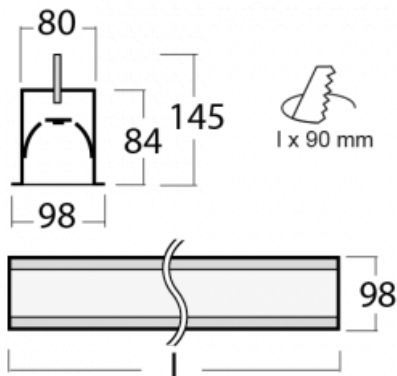
# Lina80-S

05S-000K-25GEE/840, W



Lina80-S luminaires are available in recessed, surface, suspended or wall mounted versions, including the illuminated corner segments. Lina80-S system luminaire can be used to create different shapes or long lines, with special joints that prevent any light to shine through, creating thus a seamless visual effect, suitable for small offices as well as big halls.

## Technical drawing



|  |                         |
|--|-------------------------|
| Type of installation                   | Recessed                |
| Light distribution                     | Direct                  |
| Luminaire shape                        | Linear                  |
| Colour of the luminaires               | White                   |
| Material                               | Aluminium               |
| Lifetime                               | L90/B50 60 000 hours    |
| Warranty                               | 5 years                 |
| Description of luminaires              | Luminaire recessed      |
| Dimensions (l x w x h mm)              | 1403 mm x 98 mm x 84 mm |
| Light source                           | LED MODUL               |
| DIR optical system                     | Opal diffuser           |
| Luminous flux*                         | 2670 lm                 |
| Colour Temperature                     | 4000 K cool white       |
| Luminous efficacy                      | 144 lm/W                |
| MacAdam Light source                   | 2                       |
| Colour rendering index                 | 80                      |
| UGR max. X=4H<br>Y=8H, $\rho=70,50,20$ | 23.6                    |

|                              |          |
|------------------------------|----------|
| Luminaire power input*       | 18.5 W   |
| Connection of the luminaires | ON/OFF   |
| Electrical voltage           | 220-240V |
| Frequency                    | 50/60Hz  |

  IP 40

\*±10 %

## Downloads

Installation instructions



Photos



## Accessories



**00-00100, W**  
2xend cap - metal, 3-  
conductor terminal box,  
grommet; Lipo80



**00-00200, N**  
straight connector



**00-01200, F**  
Accessory for gear-tray  
release