

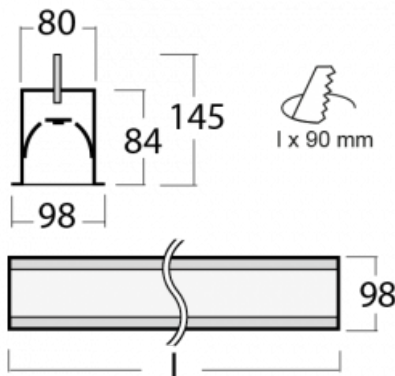

Luminaire

Lina80-S

05S-000I-30GGE/840, W


EPD®

Lina80-S luminaires are available in recessed, surface, suspended or wall mounted versions, including the illuminated corner segments. Lina80-S system luminaire can be used to create different shapes or long lines, with special joints that prevent any light to shine through, creating thus a seamless visual effect, suitable for small offices as well as big halls.

Technical drawing


| | |
|--|-------------------------|
| Type of installation | Recessed |
| Light distribution | Direct |
| Luminaire shape | Linear |
| Colour of the luminaires | White |
| Material | Aluminium |
| Lifetime | L90/B50 60 000 hours |
| Warranty | 5 years |
| Description of luminaires | Luminaire recessed |
| Dimensions (l × w × h mm) | 1683 mm × 98 mm × 84 mm |
| Weight | 6 kg |
| Light source | LED MODUL |
| DIR optical system | Microprisma |
| Luminous flux* | 4090 lm |
| Colour Temperature | 4000 K cool white |
| Luminous efficacy | 110 lm/W |
| MacAdam Light source | 2 |
| Colour rendering index | 80 |
| UGR max. X=4H Y=8H, $\rho=70,50,20$ | 20.5 |

| | |
|------------------------------|----------|
| Luminaire power input* | 37.2 W |
| Connection of the luminaires | ON/OFF |
| Electrical voltage | 220-240V |
| Frequency | 50/60Hz |

  IP 40

*±10 %

Downloads

Installation instructions



Photos



Accessories



00-00100, W
2x end cap - metal, 3-
conductor terminal box,
grommet; Lipo80



00-00200, N
straight connector



00-01200, F
Accessory for gear-tray
release