

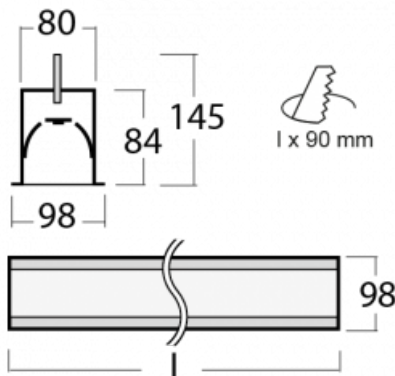

**Luminaire**

# Lina80-S

05S-000I-10GHTD/840, B


**EPD<sup>®</sup>**

Lina80-S luminaires are available in recessed, surface, suspended or wall mounted versions, including the illuminated corner segments. Lina80-S system luminaire can be used to create different shapes or long lines, with special joints that prevent any light to shine through, creating thus a seamless visual effect, suitable for small offices as well as big halls.

**Technical drawing**


|                                   |                        |
|-----------------------------------|------------------------|
| Type of installation              | Recessed               |
| Light distribution                | Direct                 |
| Luminaire shape                   | Linear                 |
| Colour of the luminaires          | Black                  |
| Material                          | Aluminium              |
| Lifetime                          | L80/B10 70 000 hours   |
| Warranty                          | 5 years                |
| Description of luminaires         | Luminaire recessed     |
| Dimensions                        | 561 mm × 98 mm × 84 mm |
| Light source                      | LED MODUL              |
| Type of optical system            | Microprisma            |
| Luminous flux*                    | 2240 lm                |
| Colour Temperature                | 4000 K cool white      |
| Luminous efficacy                 | 102 lm/W               |
| MacAdam Light source              | 2                      |
| Colour rendering index            | 80                     |
| UGR max. X=4H<br>Y=8H, ρ=70,50,20 | 22.2                   |

Luminaire power input\* 21.9 W

---

Connection of the luminaires Other type of dimming

---

Electrical voltage 220-240V

---

Frequency 50/60Hz

---

 **CE** IP 40

\*±10 %

## Downloads

Installation instructions



Photos



## Accessories



**00-00101, B**  
2xend cap - metal, 5-  
conductor terminal box,  
grommet; Lipo80



**00-00200, N**  
straight connector



**00-01200, F**  
Accessory for gear-tray  
release