



Luminaire

Lina80

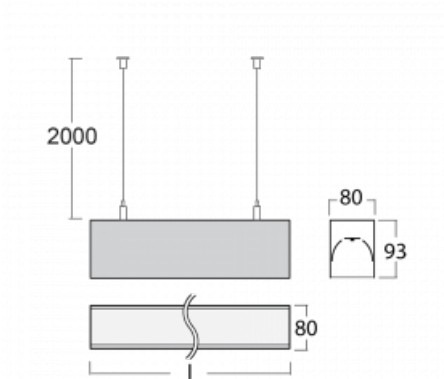
05-500K-60GHTD/840, B



EPD®

Lina80 luminaires with an easy L-Click system feature an elegant and classic linear design with excellent illumination characteristics with both ceiling mounted and suspended versions, allowing them to fit into almost any space. Lina80 lighting is the right solution for offices, business, social and cultural spaces, as well as households and restaurants. With Tunable White, you set the white color temperature according to the time of day. The light thus provides optimal light helping you to focus on and concentrate on the work.

Technical drawing



| | |
|--|-------------------------|
| Type of installation | Suspended |
| Light distribution | Direct |
| Luminaire shape | Linear |
| Colour of the luminaires | Black |
| Material | Aluminium |
| Lifetime | L80/B10 70 000 hours |
| Warranty | 5 years |
| Description of luminaires | Luminaire suspended |
| Dimensions | 3371 mm × 80 mm × 93 mm |
| Light source | LED MODUL |
| Type of optical system | Opal diffuser |
| Luminous flux* | 16060 lm |
| Colour Temperature | 4000 K cool white |
| Luminous efficacy | 122 lm/W |
| MacAdam Light source | 2 |
| Colour rendering index | 80 |
| UGR max. X=4H Y=8H, $\rho=70,50,20$ | 26.7 |

Luminaire power input* 131.4 W

Connection of the luminaires Other type of dimming

Electrical voltage 220-240V

Frequency 50/60Hz

 **CE** IP 40

*±10 %

Downloads

Installation instructions



Photos

