



## Luminaire

# Lina80

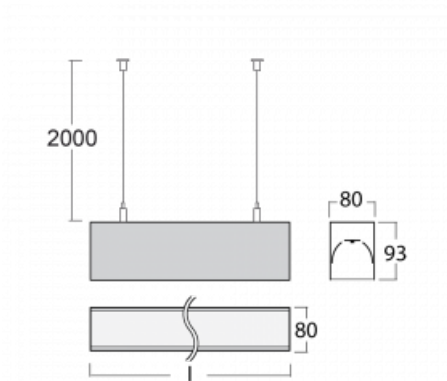
05-500K-20GGD/840, W



EPD®

Lina80 luminaires with an easy L-Click system feature an elegant and classic linear design with excellent illumination characteristics with both ceiling mounted and suspended versions, allowing them to fit into almost any space. Lina80 lighting is the right solution for offices, business, social and cultural spaces, as well as households and restaurants. With Tunable White, you set the white color temperature according to the time of day. The light thus provides optimal light helping you to focus on and concentrate on the work.

## Technical drawing



Type of installation	Suspended
Light distribution	Direct
Luminaire shape	Linear
Colour of the luminaires	White
Material	Aluminium
Lifetime	L90/B50 60 000 hours
Warranty	5 years
Description of luminaires	Luminaire suspended
Dimensions	1127 mm × 80 mm × 93 mm
Light source	LED MODUL
Type of optical system	Opal diffuser
Luminous flux*	3270 lm
Colour Temperature	4000 K cool white
Luminous efficacy	132 lm/W
MacAdam Light source	2
Colour rendering index	80
UGR max. X=4H Y=8H, ρ=70,50,20	25

Luminaire power input\* 24.8 W

---

Connection of the luminaires DALI

---

Electrical voltage 220-240V

---

Frequency 50/60Hz

---

   IP 40

\*±10 %

## Downloads

Installation instructions



Photos

