

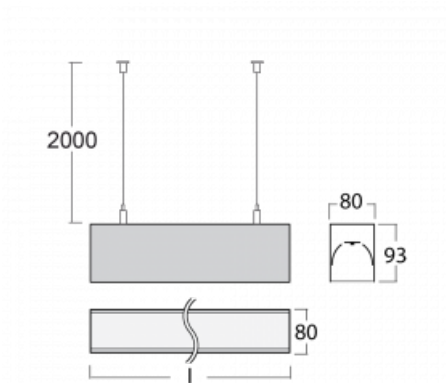

**Luminaire**

# Lina80

05-500B-40GHE/830, W



Lina80 luminaires with an easy L-Click system feature an elegant and classic linear design with excellent illumination characteristics with both ceiling mounted and suspended versions, allowing them to fit into almost any space. Lina80 lighting is the right solution for offices, business, social and cultural spaces, as well as households and restaurants. With Tunable White, you set the white color temperature according to the time of day. The light thus provides optimal light helping you to focus on and concentrate on the work.

**Technical drawing**


|  |                             |
|--|-----------------------------|
| Type of installation                   | Suspended                   |
| Light distribution                     | Direct                      |
| Luminaire shape                        | Linear                      |
| Colour of the luminaires               | White                       |
| Material                               | Aluminium                   |
| Lifetime                               | L90/B50 50 000 hours        |
| Warranty                               | 5 years                     |
| Description of luminaires              | Luminaire suspended         |
| item description                       | White ceiling cup and cable |
| Dimensions (l × w × h mm)              | 2253 mm × 80 mm × 93 mm     |
| Light source                           | LED MODUL                   |
| DIR optical system                     | MP LOW UGR                  |
| Luminous flux*                         | 6360 lm                     |
| Colour Temperature                     | 3000 K warm white           |
| Luminous efficacy                      | 116 lm/W                    |
| MacAdam Light source                   | 2                           |
| Colour rendering index                 | 80                          |
| UGR max. X=4H<br>Y=8H, $\rho=70,50,20$ | 18.6                        |

|                              |          |
|------------------------------|----------|
| Luminaire power input*       | 54.6 W   |
| Connection of the luminaires | ON/OFF   |
| Electrical voltage           | 220-240V |
| Frequency                    | 50/60Hz  |

   IP 40

\*±10 %

## Downloads

Installation instructions



Photos

