


Luminaire

Lina60-S

04S-020K-20GGTD/830, W



Type of installation	Recessed
Light distribution	Direct
Luminaire shape	Corner
Colour of the luminaires	White
Material	Aluminium
Lifetime	L90/B50 50 000 hours
Warranty	5 years
Description of luminaires	Luminaire recessed

Dimensions (l × w × h mm)	610 mm × 610 mm × 67 mm
------------------------------	-------------------------

Light source	LED MODUL
--------------	-----------

DIR optical system	Opal diffuser
--------------------	---------------

Luminous flux*	3110 lm
----------------	---------

Colour Temperature	3000 K warm white
--------------------	-------------------

Luminous efficacy	125 lm/W
-------------------	----------

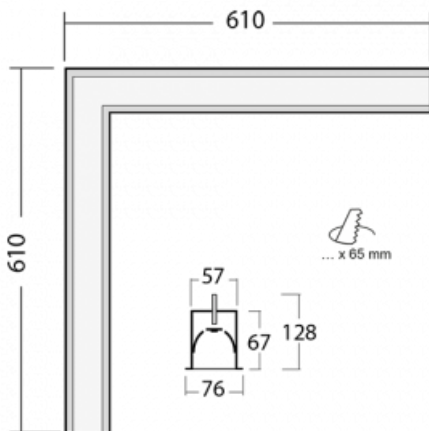
MacAdam Light source	2
----------------------	---

Colour rendering index	80
------------------------	----

UGR max. X=4H Y=8H, ρ=70,50,20	28.6
-----------------------------------	------



You will appreciate the L-Click system on the Lina60-S luminaire with a direct light distribution, which effectively saves you both time and money. How? The module simply clicks into the profile, so a lot of work is saved during assembly. This solution also prevents the direct touch of the LED technology and lengthens its operating life. The Lina60-S lighting system can be assembled creating endless lines and a big variety of shapes. In addition to great power output, the luminaire also has a great price. It will find its use in commercial, social and public spaces.

Technical drawing


Curve



Luminaire power input* 24.8 W

Connection of the luminaires Other type of dimming

Electrical voltage 220-240V

Frequency 50/60Hz

⊕ CE IP 40

*±10 %

Downloads

Installation instructions



Photos



Accessories



04-00101, W
2xend cap - metal, 5-
conductor terminal box,
grommet



04-00200, N
straight connector



04-01200, F
Accessory for gear-tray
release