
**Luminaire**

# Lina60-S

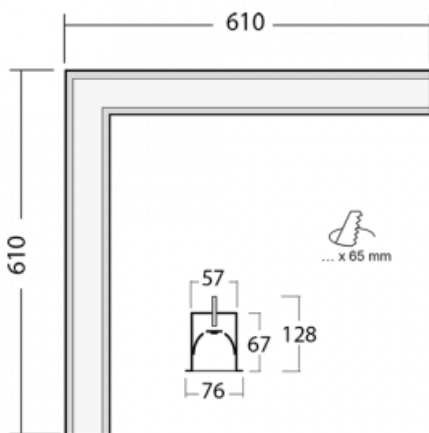
04S-020K-20GGE/830, S



EPD®



You will appreciate the L-Click system on the Lina60-S luminaire with a direct light distribution, which effectively saves you both time and money. How? The module simply clicks into the profile, so a lot of work is saved during assembly. This solution also prevents the direct touch of the LED technology and lengthens its operating life. The Lina60-S lighting system can be assembled creating endless lines and a big variety of shapes. In addition to great power output, the luminaire also has a great price. It will find its use in commercial, social and public spaces.

**Technical drawing**


|                                   |                         |
|-----------------------------------|-------------------------|
| Type of installation              | Recessed                |
| Light distribution                | Direct                  |
| Luminaire shape                   | Corner                  |
| Colour of the luminaires          | Silver                  |
| Material                          | Aluminium               |
| Lifetime                          | L90/B50 50 000 hours    |
| Warranty                          | 5 years                 |
| Description of luminaires         | Luminaire recessed      |
| Dimensions<br>(l × w × h mm)      | 610 mm × 610 mm × 67 mm |
| Weight                            | 3.6 kg                  |
| Light source                      | LED MODUL               |
| DIR optical system                | Opal diffuser           |
| Luminous flux*                    | 3110 lm                 |
| Colour Temperature                | 3000 K warm white       |
| Luminous efficacy                 | 125 lm/W                |
| MacAdam Light source              | 2                       |
| Colour rendering index            | 80                      |
| UGR max. X=4H<br>Y=8H, ρ=70,50,20 | 28.6                    |

## Curve



Luminaire power input\* 24.8 W

Connection of the luminaires ON/OFF

Electrical voltage 220-240V

Frequency 50/60Hz

⊕ CE IP 40

\*±10 %

## Downloads

Installation instructions



Photos



## Accessories



**04-00100, S**  
2x end cap - metal, 3-  
conductor terminal box,  
grommet



**04-00200, N**  
straight connector



**04-01200, F**  
Accessory for gear-tray  
release