

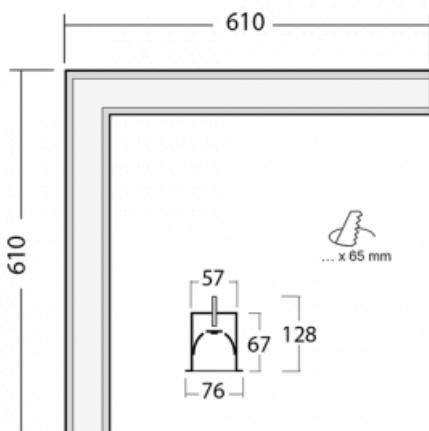

Luminaire

Lina60-S

04S-020I-20GGD/840, B


EPD[®]

You will appreciate the L-Click system on the Lina60-S luminaire with a direct light distribution, which effectively saves you both time and money. How? The module simply clicks into the profile, so a lot of work is saved during assembly. This solution also prevents the direct touch of the LED technology and lengthens its operating life. The Lina60-S lighting system can be assembled creating endless lines and a big variety of shapes. In addition to great power output, the luminaire also has a great price. It will find its use in commercial, social and public spaces.

Technical drawing


| | |
|-----------------------------------|-------------------------|
| Type of installation | Recessed |
| Light distribution | Direct |
| Luminaire shape | Corner |
| Colour of the luminaires | Black |
| Material | Aluminium |
| Lifetime | L90/B50 50 000 hours |
| Warranty | 5 years |
| Description of luminaires | Luminaire recessed |
| Dimensions (l × w × h mm) | 610 mm × 610 mm × 67 mm |
| Light source | LED MODUL |
| DIR optical system | Microprisma |
| Luminous flux* | 2720 lm |
| Colour Temperature | 4000 K cool white |
| Luminous efficacy | 110 lm/W |
| MacAdam Light source | 2 |
| Colour rendering index | 80 |
| UGR max. X=4H Y=8H, ρ=70,50,20 | 22.1 |

Curve



Luminaire power input* 24.8 W

Connection of the luminaires DALI

Electrical voltage 220-240V

Frequency 50/60Hz

⊕ CE IP 40

*±10 %

Downloads

Installation instructions



Photos



Accessories



04-00101, B
2xend cap - metal, 5-
conductor terminal box,
grommet



04-00200, N
straight connector



04-01200, F
Accessory for gear-tray
release