


**Luminaire**

# Lina60-S

04S-000K-80GETD/830, B



Type of installation	Recessed
Light distribution	Direct
Luminaire shape	Linear
Colour of the luminaires	Black
Material	Aluminium
Lifetime	L90/B50 50 000 hours
Warranty	5 years
Description of luminaires	Luminaire recessed

Dimensions (l × w × h mm)	4488 mm × 76 mm × 67 mm
------------------------------	-------------------------

Light source	LED MODUL
--------------	-----------

DIR optical system	Opal diffuser
--------------------	---------------

Luminous flux*	8430 lm
----------------	---------

Colour Temperature	3000 K warm white
--------------------	-------------------

Luminous efficacy	142 lm/W
-------------------	----------

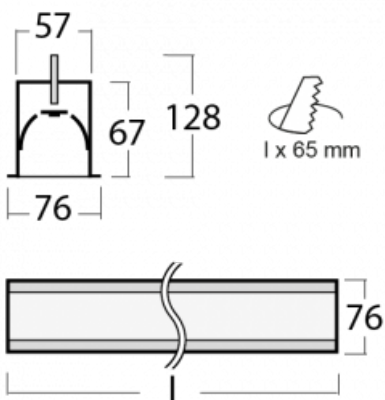
MacAdam Light source	2
----------------------	---

Colour rendering index	80
------------------------	----

UGR max. X=4H Y=8H, ρ=70,50,20	25
-----------------------------------	----



You will appreciate the L-Click system on the Lina60-S luminaire with a direct light distribution, which effectively saves you both time and money. How? The module simply clicks into the profile, so a lot of work is saved during assembly. This solution also prevents the direct touch of the LED technology and lengthens its operating life. The Lina60-S lighting system can be assembled creating endless lines and a big variety of shapes. In addition to great power output, the luminaire also has a great price. It will find its use in commercial, social and public spaces.

**Technical drawing**


## Curve



Luminaire power input\* 59.2 W

Connection of the luminaires Other type of dimming

Electrical voltage 220-240V

Frequency 50/60Hz

⊕ CE IP 40

\*±10 %

## Downloads

Installation instructions



Photos



## Accessories



**04-00101, B**  
2x end cap - metal, 5-  
conductor terminal box,  
grommet



**04-00200, N**  
straight connector



**04-01200, F**  
Accessory for gear-tray  
release