



## Luminaire

# Lina60-S

04S-000K-50GEM/840, B



|                           |                      |
|---------------------------|----------------------|
| Type of installation      | Recessed             |
| Light distribution        | Direct               |
| Luminaire shape           | Linear               |
| Colour of the luminaires  | Black                |
| Material                  | Aluminium            |
| Lifetime                  | L90/B50 50 000 hours |
| Warranty                  | 2 years              |
| Description of luminaires | Luminaire recessed   |

|                              |                         |
|------------------------------|-------------------------|
| Dimensions<br>(l x w x h mm) | 2805 mm x 76 mm x 67 mm |
|------------------------------|-------------------------|

|              |           |
|--------------|-----------|
| Light source | LED MODUL |
|--------------|-----------|

|                    |               |
|--------------------|---------------|
| DIR optical system | Opal diffuser |
|--------------------|---------------|

|                |         |
|----------------|---------|
| Luminous flux* | 5340 lm |
|----------------|---------|

|                    |                   |
|--------------------|-------------------|
| Colour Temperature | 4000 K cool white |
|--------------------|-------------------|

|                   |          |
|-------------------|----------|
| Luminous efficacy | 144 lm/W |
|-------------------|----------|

|                      |   |
|----------------------|---|
| MacAdam Light source | 2 |
|----------------------|---|

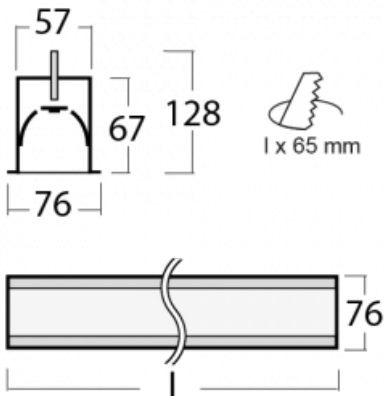
|                        |    |
|------------------------|----|
| Colour rendering index | 80 |
|------------------------|----|

|                                        |      |
|----------------------------------------|------|
| UGR max. X=4H<br>Y=8H, $\rho=70,50,20$ | 25.1 |
|----------------------------------------|------|



You will appreciate the L-Click system on the Lina60-S luminaire with a direct light distribution, which effectively saves you both time and money. How? The module simply clicks into the profile, so a lot of work is saved during assembly. This solution also prevents the direct touch of the LED technology and lengthens its operating life. The Lina60-S lighting system can be assembled creating endless lines and a big variety of shapes. In addition to great power output, the luminaire also has a great price. It will find its use in commercial, social and public spaces.

## Technical drawing



## Curve



Luminaire power input\* 37 W

Connection of the luminaires ON/OFF + 1h emergency

Electrical voltage 220-240V

Frequency 50/60Hz

⊕ CE IP 40

\*±10 %

## Downloads

Installation instructions



Photos



## Accessories



**04-00101, B**  
2xend cap - metal, 5-  
conductor terminal box,  
grommet



**04-00200, N**  
straight connector



**04-01200, F**  
Accessory for gear-tray  
release