



Luminaire

Lina60-S

04S-000K-25GEE/840, B



| | |
|---------------------------|----------------------|
| Type of installation | Recessed |
| Light distribution | Direct |
| Luminaire shape | Linear |
| Colour of the luminaires | Black |
| Material | Aluminium |
| Lifetime | L90/B50 50 000 hours |
| Warranty | 5 years |
| Description of luminaires | Luminaire recessed |

| | |
|------------------------------|-------------------------|
| Dimensions (l x w x h mm) | 1403 mm x 76 mm x 67 mm |
|------------------------------|-------------------------|

| | |
|--------------|-----------|
| Light source | LED MODUL |
|--------------|-----------|

| | |
|--------------------|---------------|
| DIR optical system | Opal diffuser |
|--------------------|---------------|

| | |
|----------------|---------|
| Luminous flux* | 2670 lm |
|----------------|---------|

| | |
|--------------------|-------------------|
| Colour Temperature | 4000 K cool white |
|--------------------|-------------------|

| | |
|-------------------|----------|
| Luminous efficacy | 144 lm/W |
|-------------------|----------|

| | |
|----------------------|---|
| MacAdam Light source | 2 |
|----------------------|---|

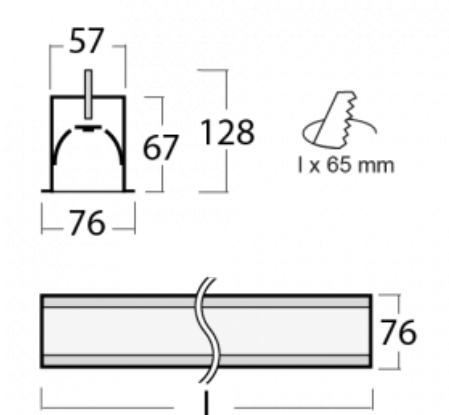
| | |
|------------------------|----|
| Colour rendering index | 80 |
|------------------------|----|

| | |
|--|------|
| UGR max. X=4H Y=8H, $\rho=70,50,20$ | 24.4 |
|--|------|



You will appreciate the L-Click system on the Lina60-S luminaire with a direct light distribution, which effectively saves you both time and money. How? The module simply clicks into the profile, so a lot of work is saved during assembly. This solution also prevents the direct touch of the LED technology and lengthens its operating life. The Lina60-S lighting system can be assembled creating endless lines and a big variety of shapes. In addition to great power output, the luminaire also has a great price. It will find its use in commercial, social and public spaces.

Technical drawing



Curve



Luminaire power input* 18.5 W

Connection of the luminaires ON/OFF

Electrical voltage 220-240V

Frequency 50/60Hz

⊕ CE IP 40

*±10 %

Downloads

Installation instructions



Photos



Accessories



04-00100, B
2x end cap - metal, 3-
conductor terminal box,
grommet



04-00200, N
straight connector



04-01200, F
Accessory for gear-tray
release