



## Luminaire

# Lina60-S

04S-000I-20GEE/830, B



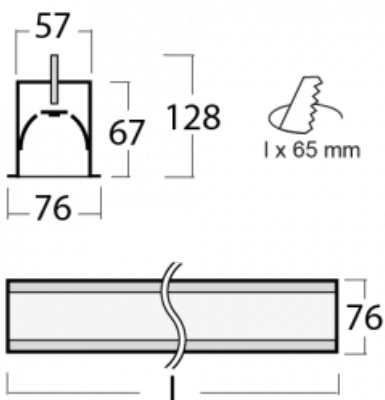
|                           |                      |
|---------------------------|----------------------|
| Type of installation      | Recessed             |
| Light distribution        | Direct               |
| Luminaire shape           | Linear               |
| Colour of the luminaires  | Black                |
| Material                  | Aluminium            |
| Lifetime                  | L90/B50 50 000 hours |
| Warranty                  | 5 years              |
| Description of luminaires | Luminaire recessed   |

|  |                         |
|--|-------------------------|
| Dimensions<br>(l x w x h mm)           | 1122 mm x 76 mm x 67 mm |
| Weight                                 | 2.8 kg                  |
| Light source                           | LED MODUL               |
| DIR optical system                     | Microprisma             |
| Luminous flux*                         | 900 lm                  |
| Colour Temperature                     | 3000 K warm white       |
| Luminous efficacy                      | 115 lm/W                |
| MacAdam Light source                   | 2                       |
| Colour rendering index                 | 80                      |
| UGR max. X=4H<br>Y=8H, $\rho=70,50,20$ | 18.2                    |



You will appreciate the L-Click system on the Lina60-S luminaire with a direct light distribution, which effectively saves you both time and money. How? The module simply clicks into the profile, so a lot of work is saved during assembly. This solution also prevents the direct touch of the LED technology and lengthens its operating life. The Lina60-S lighting system can be assembled creating endless lines and a big variety of shapes. In addition to great power output, the luminaire also has a great price. It will find its use in commercial, social and public spaces.

## Technical drawing



## Curve



Luminaire power input\* 7.8 W

Connection of the luminaires ON/OFF

Electrical voltage 220-240V

Frequency 50/60Hz

⊕ CE IP 40

\* $\pm 10\%$

## Downloads

Installation instructions



Photos



## Accessories



**04-00100, B**  
2x end cap - metal, 3-  
conductor terminal box,  
grommet



**04-00200, N**  
straight connector



**04-01200, F**  
Accessory for gear-tray  
release