



## Luminaire

# Lina60-S

04S-000I-10GGD/840, S



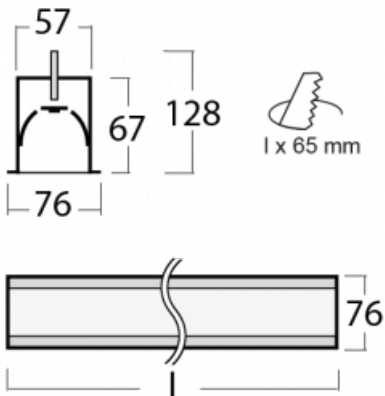
Type of installation	Recessed
Light distribution	Direct
Luminaire shape	Linear
Colour of the luminaires	Silver
Material	Aluminium
Lifetime	L90/B50 50 000 hours
Warranty	5 years
Description of luminaires	Luminaire recessed

Dimensions (l x w x h mm)	561 mm x 76 mm x 67 mm
Light source	LED MODUL
DIR optical system	Microprisma
Luminous flux*	1360 lm
Colour Temperature	4000 K cool white
Luminous efficacy	110 lm/W
MacAdam Light source	2
Colour rendering index	80
UGR max. X=4H Y=8H, ρ=70,50,20	22.1



You will appreciate the L-Click system on the Lina60-S luminaire with a direct light distribution, which effectively saves you both time and money. How? The module simply clicks into the profile, so a lot of work is saved during assembly. This solution also prevents the direct touch of the LED technology and lengthens its operating life. The Lina60-S lighting system can be assembled creating endless lines and a big variety of shapes. In addition to great power output, the luminaire also has a great price. It will find its use in commercial, social and public spaces.

## Technical drawing



## Curve



Luminaire power input\* 12.4 W

Connection of the luminaires DALI

Electrical voltage 220-240V

Frequency 50/60Hz

⊕ CE IP 40

\*±10 %

## Downloads

Installation instructions



Photos



## Accessories



**04-00101, S**  
2x end cap - metal, 5-  
conductor terminal box,  
grommet



**04-00200, N**  
straight connector



**04-01200, F**  
Accessory for gear-tray  
release