

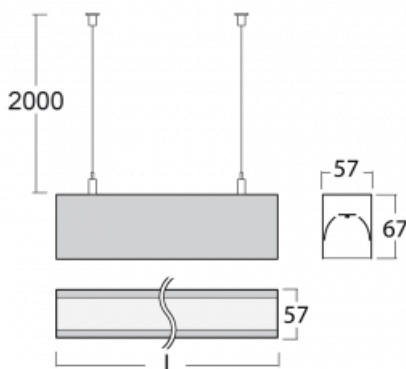

**Luminaire**

# Lina60

04-500K-80GGTD/830, S


**EPD<sup>®</sup>**

You will appreciate the L-Click system on the Lina60 with direct light distribution, which effectively saves you both time and money. How? The module simply clicks into the profile, so a lot of work is saved during assembly. This solution also prevents the direct touch of the LED technology and lengthens its operating life. In addition to great power output, the luminaire also has a great price. It will find its use in commercial, social and public spaces.

**Technical drawing**


|  |  |
|--|--|
| Type of installation                   | Suspended                                |
| Light distribution                     | Direct                                   |
| Luminaire shape                        | Linear                                   |
| Colour of the luminaires               | Silver                                   |
| Material                               | Aluminium                                |
| Lifetime                               | L90/B50 50 000 hours                     |
| Warranty                               | 5 years                                  |
| Description of luminaires              | Luminaire suspended                      |
| item description                       | Silver ceiling cup and transparent cable |
| Dimensions<br>(l × w × h mm)           | 4497 mm × 57 mm × 67 mm                  |
| Light source                           | LED MODUL                                |
| DIR optical system                     | Opal diffuser                            |
| Luminous flux*                         | 12470 lm                                 |
| Colour Temperature                     | 3000 K warm white                        |
| Luminous efficacy                      | 126 lm/W                                 |
| MacAdam Light source                   | 2  |
| Colour rendering index                 | 80                                       |
| UGR max. X=4H<br>Y=8H, $\rho=70,50,20$ | 26.4                                     |

## Curve



Luminaire power input\* 99.2 W

Connection of the luminaires Other type of dimming

Electrical voltage 220-240V

Frequency 50/60Hz

⊕ CE IP 40

\*±10 %

## Downloads

Installation instructions



Photos

