

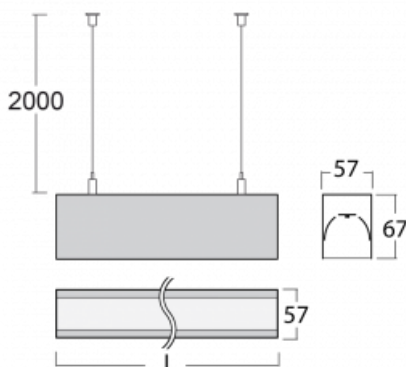

**Luminaire**

# Lina60

04-500I-20GED/830, W



You will appreciate the L-Click system on the Lina60 with direct light distribution, which effectively saves you both time and money. How? The module simply clicks into the profile, so a lot of work is saved during assembly. This solution also prevents the direct touch of the LED technology and lengthens its operating life. In addition to great power output, the luminaire also has a great price. It will find its use in commercial, social and public spaces.

**Technical drawing**


Type of installation	Suspended
Light distribution	Direct
Luminaire shape	Linear
Colour of the luminaires	White
Material	Aluminium
Lifetime	L90/B50 50 000 hours
Warranty	5 years
Description of luminaires	Luminaire suspended
item description	White ceiling cup and cable
Dimensions (l x w x h mm)	1131 mm x 57 mm x 67 mm
Weight	3.1 kg
Light source	LED MODUL
DIR optical system	Microprisma
Luminous flux*	900 lm
Colour Temperature	3000 K warm white
Luminous efficacy	115 lm/W
MacAdam Light source	2
Colour rendering index	80
UGR max. X=4H Y=8H, ρ=70,50,20	18.2

Luminaire power input*	7.8 W
Connection of the luminaires	DALI
Electrical voltage	220-240V
Frequency	50/60Hz

   IP 40

\*±10 %

## Downloads

Installation instructions



Photos

