

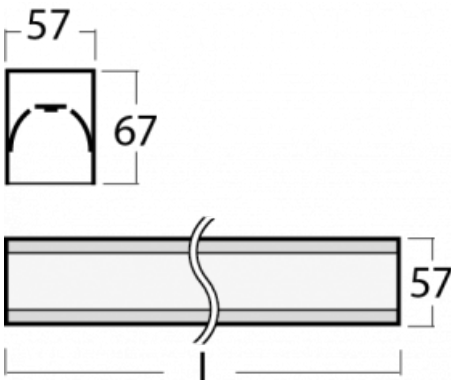

Luminaire

Lina60

04-200I-40GEM3/840, B


EPD®

You will appreciate the L-Click system on the Lina60 with direct light distribution, which effectively saves you both time and money. How? The module simply clicks into the profile, so a lot of work is saved during assembly. This solution also prevents the direct touch of the LED technology and lengthens its operating life. In addition to great power output, the luminaire also has a great price. It will find its use in commercial, social and public spaces.

Technical drawing


| | |
|--|-------------------------|
| Type of installation | Surface |
| Light distribution | Direct |
| Luminaire shape | Linear |
| Colour of the luminaires | Black |
| Material | Aluminium |
| Lifetime | L90/B50 50 000 hours |
| Warranty | 5 years |
| Description of luminaires | Luminaire surface |
| Dimensions | 2249 mm × 57 mm × 67 mm |
| Light source | LED MODUL |
| Type of optical system | Microprisma |
| Luminous flux* | 1890 lm |
| Colour Temperature | 4000 K cool white |
| Luminous efficacy | 121 lm/W |
| MacAdam Light source | 2 |
| Colour rendering index | 80 |
| UGR max. X=4H Y=8H, $\rho=70,50,20$ | 18.4 |

Curve



Luminaire power input* 15.6 W

Connection of the luminaires ON/OFF + 3h emergency

Electrical voltage 220-240V

Frequency 50/60Hz

⊕ CE IP 40

*±10 %

Downloads

Installation instructions



Photos

